

Date of valid edition

2022-01-31

No./Revision:

4074-09

Date of first issue:

2010-04-09

Name and address of certificate holder

Conformity marks covered by the certificate:

Krah Pipes OÜ
Gaasi tee 11, Rae vald
EE-75306 HARJUMAA



Information regarding the certificate holder/manufacture

Contact person Jarmo Nisuma	Telephone +372 5829 5126	
	E-mail jarmo@krah-pipes.ee	
Manufacturer	Place of manufacture Harjumaa, Estonia	

Product covered by the certificate

Type of product Plastic piping systems for non-pressure underground drainage and sewerage. Structured-wall piping systems of unplasticized poly (vinyl chloride) (PVC-U), polypropylene (PP) and polyethylene (PE).	Standard/Normative document EN 13476	Specific rules SBC 13476
Specification of product Structured-wall PE pipes according to Annex 1. Approved recipes according to Annex 2 (confidential). Inspection of production place: VTT-S-02112-10		

The certificate holder above is hereby given permission to use the INSTA-CERT mark on or in connection with products, which fulfil the requirements of the standard or the normative document specified above (what is said in this document about INSTA-CERT mark will also be valid for marks defined in relevant SBC). The certificate is valid on the condition that the certificate holder complies with "General rules for certification by partners of INSTA-CERT" (GRC) and the specific rules applying to certification of products of the type mentioned. The certificate holder is obliged to indemnify INSTA-CERT partners of any claim for damages or any other expenses to which partners may become liable as a result of injuries caused by a product manufactured or sold by the certificate holder. This also applies to defective or faulty products.

Unless terminated, the certificate will be automatically extended for one year at a time. The certificate will be re-issued with a new "date of valid edition" only if the content and/or conditions of the certificate have been changed. Termination may take place to the end of a year subject to three months' notice on the part of the certificate holder and the certification body. Information of valid certificates is available on INSTA-CERT homepage, www.insta-cert.net.

The certificate is not transferable.

MEMBER OF INSTA-CERT:
INSPECTA CERTIFIJOINTI OY

Maija Vanttaja, Managing Director

Certificate No. **4074-09**

Date 2022-01-31

Certificate holder

Krah Pipes OÜ
 Gaasi tee 11, Rae vald
 EE-75306 HARJUMAA

Trade name Krah pipes

	Pipes	Fittings
Material	PE	PE
Application area	U	U
Ring stiffness	SN 8	SN 8
Wall structure	Type B	Flat
Dimensions	Size group 3 (600 mm ≤ DN/ID ≤ 1200 mm) Size group 4 (DN/ID ≤ 1600 mm)	
		Fitting group 1: Bends Size group 3 (600 mm ≤ DN/ID ≤ 1200 mm) Size group 4 (DN/ID ≤ 1600 mm)
		Fitting group 2: Branches Size group 3 (600 mm ≤ DN/ID ≤ 1200 mm)


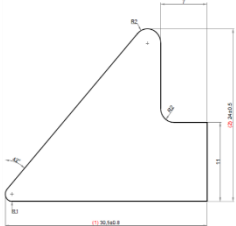
Certificate No. **4074-09**

Date **2022-01-31**

Certificate holder

Krah Pipes OÜ
Gaasi tee 11, Rae vald
EE-75306 HARJUMAA

APPROVED SEALING RINGS AND JOINTS

<p>FORSHEDA 504 DN600, 800, 1000 and 1200</p>	<p>SECIL S 504 24 mm DN 600 (ID: 523) SECIL S 504 24 mm DN 800 (ID: 689) SECIL S 504 24 mm DN 1000 (ID:856) SECIL S 504 24 mm DN 1200 (ID: 1023)</p>
<p>Material: EPDM Kitemark licence: KM 07740</p>	<p>Material: EPDM Hardness class: 40</p>
	

Electrofusion joint, DN/ID 1400 and 1600 mm only electrofusion joint

APPROVED RAW MATERIALS

Colour

- outer layer black
- inner layer yellow

Borealis Borsafe HE3490-LS IC certificate nr. 5018

PIPE PROFILE

PR-profiles 34, 42, 54, 65, 75, 90 and 110



Certificate No. **4074-09**

Date 2022-01-31

Certificate holder

Krah Pipes OÜ
Gaasi tee 11, Rae vald
EE-75306 HARJUMAA

TEST REPORTS OR OTHER BASIS FOR CERTIFICATION

4074 VTT-S-03965-10, VTT-S-01291-17, VTT-S-02030-17
4074-01 - VTT-S-02555-13
4074-05
4074-06 Eurofins S-04766-18 and S-04677-18
4074-07 EUFI29-19001178-T1, EUFI29-19001178-T2
4074-08 EUFI29-20004735-T1
4074-09 EUFI29-21001264-T1, EUFI29-21004458-T1, EUFI29-21005090-T1